



**Handrails (Galvanized)-100910AL, 100911AL, 100912AL, 100915AL, 100916AL, 100917AL, 100918AL, 100919AL, 100920AL
(Powder Coat Paint)-105910AL, 105911AL, 105912AL, 105915AL, 105916AL, 105917AL, 105918AL, 105919AL & 105920AL**

EZ Dock handrails conform with SOBA and ADA guidelines. Our railing sections are available in a variety of lengths and profiles, and are designed to provide security with minimal obstruction. You may choose from the standard hot-dipped galvanized finish, powder-coated color finish, or our new stainless steel option. Models include accessories for securing fishing rods, and are perfect for residential, resort or park installations. Our railing is also available in aluminum or stainless steel by special order.

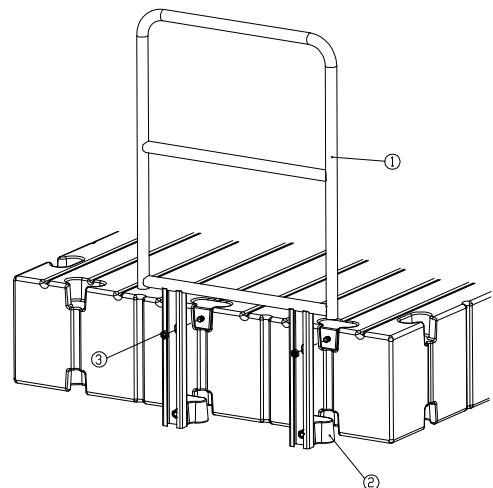


Installation

Tools Required:

Ratchet
15/16" Socket
Hammer

1. Loosely attach hardware connectors (with the tapered end up) to railing legs at the lowest location on the railing.
2. Place hardware connectors in the corresponding top pockets on the dock.
3. Tilting the railing outward and away from the dock at the top, bring the bottom connectors up and into the bottom pockets.
4. When the bottom connectors are fully up and in the bottom pockets, bring the top of railing back towards the dock so the upper holes in the railing legs fit over the bolts in the hardware connector on the top edge of the dock.
5. Secure the railing by fully tightening the nuts on all hardware connectors, using care to not over-tighten the nuts.



ITEM	QTY.	PART NO.	DESCRIPTION
1	1	N/A	BARRIER HANDRAILING
2	N/A	80580SS	NUT 5/8" SELF LOCKING
3	N/A	S21140SS	HARDWARE CONNECTOR 5/8" MALE