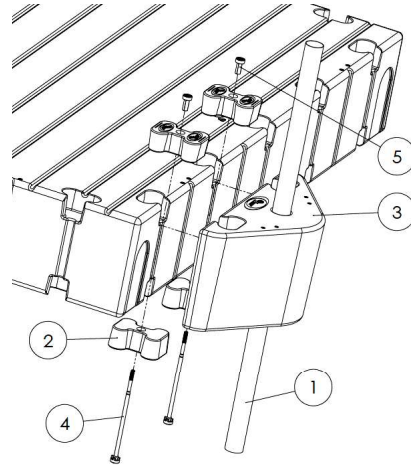


Heavy-Duty Pipe Bracket Installation, Non-insert (215250 and 215350)

Tools Required:

Ratchet
 15/16" socket
 Coupler drive socket
 In-water installation tool
 Hammer

1. Slide the polyethylene pipe bracket over the top of the pipe to be installed.
2. Install the top and bottom couplers as described on Page 8.
3. Align the pipe next to the dock where it will be attached. The pipe should be placed so that it is centered with a pocket.
4. Install pipe as referenced on Page 9.



ITEM	QTY.	PART NO.	DESCRIPTION
1	1	N/A	ANCHORAGE PIPE
2	4	311010	COUPLER
3	1	10015/10016	POLYETHYLENE MAIN FRAME
4	2	21103	COUPLER BOLT
5	2	22003	COUPLER NUT