

8" Nylon Tie-Up Cleat (300100)

To add to your personal touch and accommodate your personal needs, you may add a 8" tie-up cleat to tie up smaller boats. The 8" tie-up cleat attaches easily to the heavy duty stainless steel T-nuts molded in pairs around dock section perimeters.

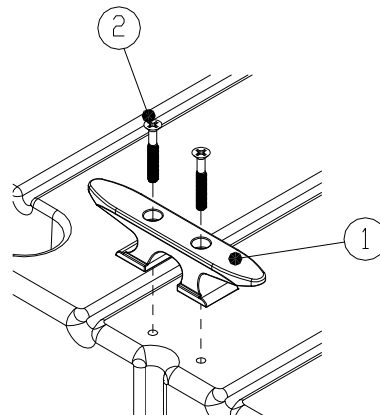


8" Tie-Up Cleat Installation

Tools Required:

3/16" Allen Wrench

1. Clean out any grit or debris that might have gotten into the stainless-steel inserts in the dock.
2. Secure each cleat using two (80525SS) 15/16" X 2" Allen head machine bolts included in the kit.



ITEM	QTY.	PART NO.	DESCRIPTION
1	1	30101	CLEAT NYLON 8" TIE UP
2	2	80521SS	BOLT 5/16"-18 X 2" CS Allen Head