

## 12 Galvanized Tie-Up Cleat (300110)

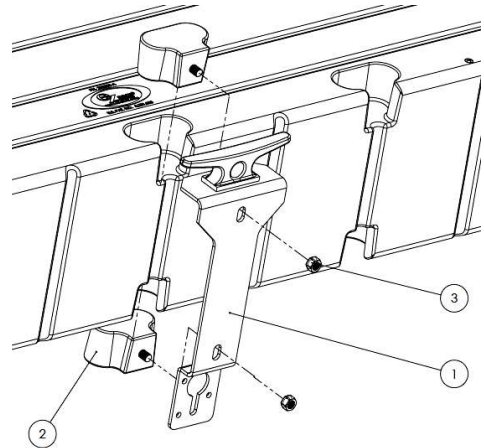
These tie-up cleats attach in a pocket on the side of the dock using top and bottom hardware connectors. This cleat is intended for temporary mooring of boats up to thirty feet long and has the capability of using larger dock line. Also doubles as a standard duty deadweight bracket.

### Installation

#### Tools Required:

Ratchet  
15/16" Socket  
Hammer

1. Insert hardware connector into top and bottom coupler pocket.
2. Position the Tie-Up Cleat onto the hardware connectors.
3. Secure bracket to hardware connector with the 5/8" lock nut (80580SS). Fully thread nut into place but do not over tighten.
4. Follow all deadweight instructions when using this Tie-Up Cleat as a deadweight anchor.



ITEM	QTY.	PART NO.	DESCRIPTION
1	1	S30110	CLEAT AL TIE UP 10"
2	2	S21140SS	HARDWARE CONNECTOR 5/8" MALE
3	2	80580SS	NUT 5/8" SELF LOCKING