

Large Storage Box (300750)

This large storage box attaches easily to an EZ Dock system or traditional dock utilizing galvanized bracket hardware. The storage box comes equipped with corrosion-free polypropylene hinges and a riveted marine steel grade hasp for EZ locking capability. It is manufactured along with docks and other accessories giving you a perfect EZ Dock beige match.

Note: Please read and understand the warning label on Page 39. This warning label applies to all dock boxes as they could potentially become air tight.

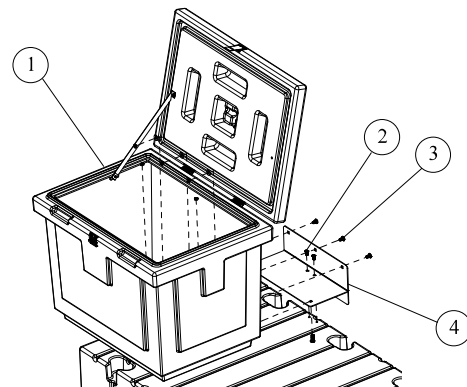


Installation

Tools Required:

Ratchet
 1/2" Socket
 9/16" Socket
 Phillips Screw Driver

1. Attach 18" cable strap (S40037) to left side of box using embedded T-nuts.
2. Turn storage box upside down, center bracket (S30702) on box and mark hole locations.
3. Drill 1/2" holes in box.
4. Insert two bolts on the outer edge of the bracket before placing on dock section. These bolts will need to be in place before attaching bracket at T-nut locations on the side of the dock. With two 5/16-18 truss head bolts (81540SS) and flat washers attach bracket to dock.
5. On the back of the bracket, slide three 3/8-16 X 3/4" carriage bolts (104064) through bracket and back of box. Place flat washers over carriage bolts and fully thread three 3/8-16 Nylok Hex nuts onto the carriage bolts.



ITEM	QTY.	PART NO.	DESCRIPTION
1	1	S30701	DOCK BOX W/ HASP
2	1	81540SS	TRUSSHEAD BOLT
3	1	104064	3/8 CARRIAGE BOLT
4	1	S30702	BRACKET, BOX