



Corner Storage Box (300760)

Roomy storage in a compact design that makes the most of available space without interfering with foot traffic. Utility boxes for complete utility hookups through this box are also available.

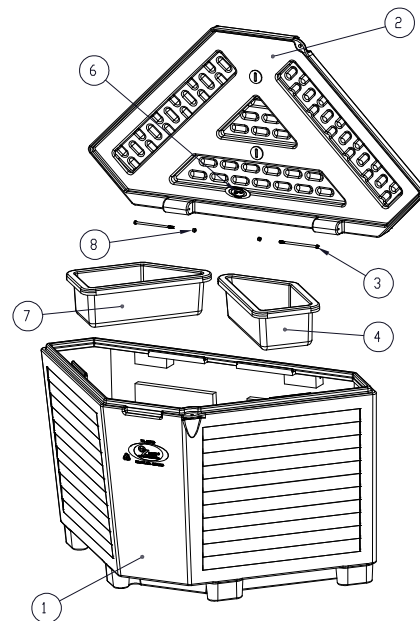
Note: Please read and understand the warning label on this page. This warning label applies to all dock boxes as they could potentially become air tight.



Installation

The EZ Dock Corner Dock Box attaches to any 90 degree turn in the dock layout using a total of 4 coupler pockets. Position the Corner Dock Box over the water and drop the molded-in half couplers located in the bottom of the dock box into the mating coupler sockets on the dock sections. Firmly push into place and attach using the 4 black composite bolts and nuts (22006 and 22003) included in the dock box. See pg. 36 for installation details. To attach to any other dock or deck the dock box may be drilled and attached using self tapping screws and washers (not included).

ITEM	QTY.	PART NO.	DESCRIPTION
1	1	S30761	CORNER DOCK BOX BOTTOM
2	1	S30762	CORNER DOCK BOX LID
3	2	80560SS	BOLT 1/4"-20 X 6" HEX SS
4	1	S30762R	STORAGE BIN PE RIGHT
6	1	00877	EZ DOCK REFLECTIVE LOGO SMALL
7	1	S30762L	STORAGE BIN PE LEFT
8	2	110047	NUT 1/4"-20 HEX NYLOK SS
9	4	22006	BOLT COMPOSITE GUSSET BOLT LONG 9-1/4"
10	4	22003	NUT COMPOSITE



⚠ WARNING	⚠ AVERTISSEMENT	⚠ ADVERTENCIA
<p>SUFFOCATION HAZARD NOT FOR USE BY CHILDREN. KEEP CHILDREN OUT OF CONTAINER. NEVER LEAVE CHILDREN UNATTENDED. ALWAYS KEEP LID CLOSED AND LOCKED WHEN NOT IN USE.</p>	<p>DANGER DE SUFFOCATION. NON CONÇU POUR LES ENFANTS. TENIR LES ENFANTS HORS DU COMPARTIMENT DE RANGEMENT. NE JAMAIS LAISSER LES ENFANTS SANS SURVEILLANCE. TOUJOURS GARDER LE COUVERCLE FERMÉ ET VERROUILLÉ QUAND IL N'EST PAS UTILISÉ.</p>	<p>PELIGRO DE ASFIXIA NO DEBE SER USADO POR NIÑOS. EVITE QUE LOS NIÑOS SE ACERQUEN AL CONTENEDOR. NUNCA DEJE A LOS NIÑOS SIN SUPERVISIÓN. MANTENGA SIEMPRE LA TAPA CERRADA Y ASEGURADA CUANDO NO ESTÉ EN USO.</p>