

Polyethylene Bench Kit (300970)

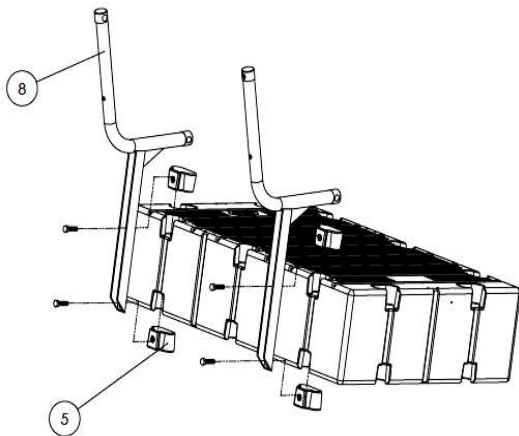
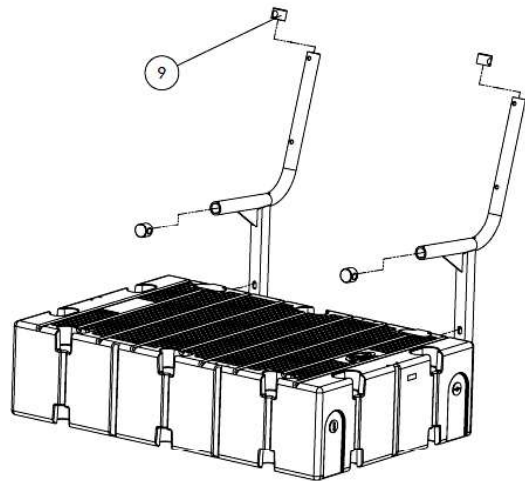
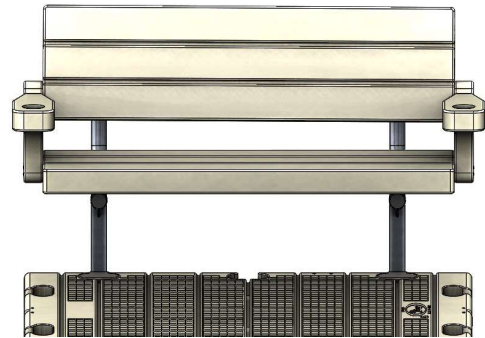
The polyethylene bench kit is a nice addition to any dock system. It is manufactured from the same material as the docks so it matches perfectly every time. Added features include cup holders built into the arms.

Installation

Tools Required:

#4 Phillips Screwdriver
15/16" Wrench or Socket

1. Insert hardware connectors in both bottom and top dock pockets as shown.
2. **LOOSELY** mount the dock brackets using the washers and 5/8" X 2" bolts into the couplers.
3. Both bench planks are identical and will fit on either side of the bench. **LOOSELY** fasten the poly bench planks to the bench support brackets using the domed washers and 5/16 X 2 1/2" bolts.



ITEM	QTY.	PART NO.	DESCRIPTION
1, 2	1	S31966	PARTS CARTON FOR PE BENCH
3	6	80528SS	BOLT 5/16" X 2 3/4" PHPS TRUSS SS
4	6	117005	WASHER 3/8 FLAT 18-8 SSS
5	4	S21141SS	HARDWARE CONNECTOR 5/8" FEMALE
6	2	S30965	BENCH PLANK POLY
7	2	S30966	ARM REST POLY
8	2	S30967AL	PE BENCH DOCK BRACKET
9	4	S28118	CAP, BENCH BRACKET

4. If installing the optional arm rests, it will be necessary to leave bolts finger tight to insure proper alignment of the arm rest. **LOOSELY** mount arm rests to the end of the bench assembly using the 5/16" X 2 3/4" bolts. Both arm rests are identical and will fit either side of the bench. Insure the bench plank bolts are tightened after installation of arms.
5. Tighten all bolts.

